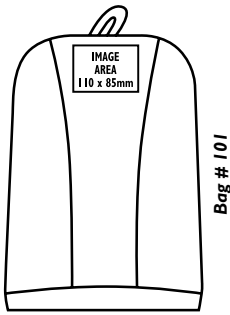


ORDER FORM PART 'A'



Bag # 101

Nitro Backpack

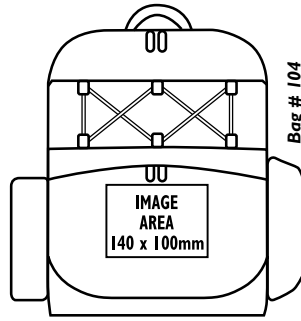
Approx. size: 28 x 41 x 19cm

Colour	Quantity	
	Without Image	With Image
Lime	<input type="checkbox"/>	<input type="checkbox"/>
Grey	<input type="checkbox"/>	<input type="checkbox"/>
Royal	<input type="checkbox"/>	<input type="checkbox"/>
Red	<input type="checkbox"/>	<input type="checkbox"/>
Purple	<input type="checkbox"/>	<input type="checkbox"/>

Quantity	Price
.....	\$
.....	\$
Sub Total	\$

(Category 'A' P&H*)

1 to 19 Bags \$12.50 each
20 plus Bags \$10.00 each
 Add \$5.00 for each bag with image and/or text



Bag # 104

Nitro Deluxe Backpack

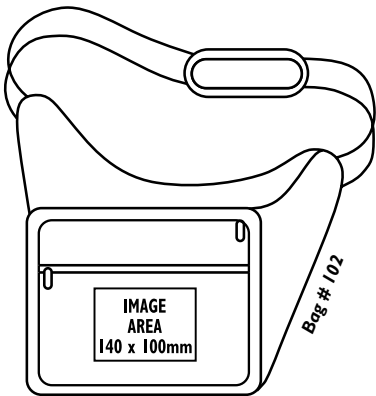
Approx. size: 37 x 43 x 21cm

Colour	Quantity	
	Without Image	With Image
Lime	<input type="checkbox"/>	<input type="checkbox"/>
Grey	<input type="checkbox"/>	<input type="checkbox"/>
Royal	<input type="checkbox"/>	<input type="checkbox"/>
Red	<input type="checkbox"/>	<input type="checkbox"/>
Purple	<input type="checkbox"/>	<input type="checkbox"/>

Quantity	Price
.....	\$
.....	\$
Sub Total	\$

(Category 'B' P&H**)

1 to 19 Bags \$17.50 each
20 plus Bags \$15.00 each
 Add \$5.00 for each bag with image and/or text



Bag # 102

Nitro Shoulder Bag

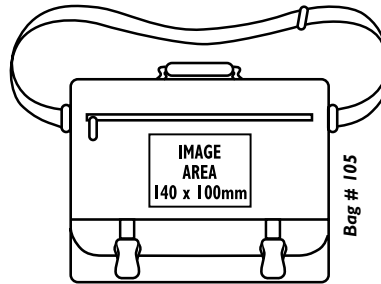
Approx. size: 33 x 28 x 8cm

Colour	Quantity	
	Without Image	With Image
Lime	<input type="checkbox"/>	<input type="checkbox"/>
Grey	<input type="checkbox"/>	<input type="checkbox"/>
Royal	<input type="checkbox"/>	<input type="checkbox"/>
Red	<input type="checkbox"/>	<input type="checkbox"/>
Purple	<input type="checkbox"/>	<input type="checkbox"/>

Quantity	Price
.....	\$
.....	\$
Sub Total	\$

(Category 'A' P&H*)

1 to 19 Bags \$17.50 each
20 plus Bags \$15.00 each
 Add \$5.00 for each bag with image and/or text



Bag # 105

Rugger College Folio

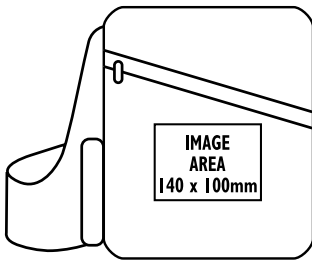
Approx. size: 40 x 32 x 15cm

Colour	Quantity	
	Without Image	With Image
Navy	<input type="checkbox"/>	<input type="checkbox"/>
Russet (Red)	<input type="checkbox"/>	<input type="checkbox"/>

Quantity	Price
.....	\$
.....	\$
Sub Total	\$

(Category 'B' P&H**)

1 to 19 Bags \$25.00 each
20 plus Bags \$22.50 each
 Add \$5.00 for each bag with image and/or text



Bag # 103

Nitro Uni Strap Backpack

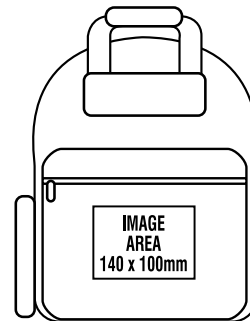
Approx. size: 25 x 33 x 11cm

Colour	Quantity	
	Without Image	With Image
Lime	<input type="checkbox"/>	<input type="checkbox"/>
Grey	<input type="checkbox"/>	<input type="checkbox"/>
Royal	<input type="checkbox"/>	<input type="checkbox"/>
Red	<input type="checkbox"/>	<input type="checkbox"/>
Purple	<input type="checkbox"/>	<input type="checkbox"/>

Quantity	Price
.....	\$
.....	\$
Sub Total	\$

(Category 'A' P&H*)

1 to 19 Bags \$17.50 each
20 plus Bags \$15.00 each
 Add \$5.00 for each bag with image and/or text



Bag # 106

Rugger Deluxe Backpack

Approx. size: 33 x 40 x 20cm

Colour	Quantity	
	Without Image	With Image
Navy	<input type="checkbox"/>	<input type="checkbox"/>
Russet (Red)	<input type="checkbox"/>	<input type="checkbox"/>

Quantity	Price
.....	\$
.....	\$
Sub Total	\$

(Category 'B' P&H**)

1 to 19 Bags \$27.00 each
20 plus Bags \$24.50 each
 Add \$5.00 for each bag with image and/or text

Images and/or Text

Please use Order Form Part 'B' for all text detail
 Images can be supplied as JPEG or Hi Resolution pdf
 by email to: in@accent.com.au

Fax Orders as per Order Form Part 'B' or send CD, Pictures or Prints by Reply Paid Post as per Order Form Part 'B'

Postage & Handling Charges

Calculate charges and include in FINAL PRICE on Order Form Part 'B'

*CATEGORY 'A' POSTAGE & HANDLING

Single Bag delivered anywhere in Australia \$5.00

Quantity	Region	1	2	3	4
2 to 5 Bags		\$9.00	\$10.00	\$12.00	\$20.00
6 to 10 Bags		\$12.50	\$14.00	\$16.50	\$30.00

**CATEGORY 'B' POSTAGE & HANDLING

Single Bag delivered anywhere in Australia \$9.00

Quantity	Region	1	2	3	4
2 to 5 Bags		\$12.50	\$14.00	\$16.50	\$30.00
6 to 10 Bags		\$16.00	\$17.50	\$20.50	\$40.00

Regions: 1 - Melbourne (up to 50km radius) & Geelong
 2 - Country Victoria (outside Melbourne 50km radius)

3 - NSW, SA, TAS, ACT, Brisbane, Gold Coast & Sunshine Coast
 4 - WA, NT & other QLD

For P&H of larger quantities, please phone: 03 9874 7844 for quotation

ORDER FORM PART 'B'

YOU HAVE 2 ORDERING OPTIONS

Please FAX forms A & B to
(03) 9874 7855

JPEG or Hi Res pdf images emailed to in@accent.com.au

or

Please POST forms A & B to
Reply Paid 2 Vermont Victoria 3133
together with required images and/or text

FINAL PRICE

Sub Total \$

Total Postage & Handling \$

Total Cost \$

All prices include GST

Image and/or Text Details

Bag #	Colour	Image Description	Text

If insufficient room for all detail please write out on plain paper and send with order forms A & B.

Purchaser Details

Company/Business Name:

First Name:

Surname:

Phone:

Fax:

Email:

Address*:

Suburb:

State:

Postcode:

** No post office box numbers please*

Delivery Details *If different from above.*

Delivery Address:

Suburb:

State:

Postcode:

Payment Options and Information

All prices include GST. To assist credit card detail security ensure envelope is securely sealed.

I enclose my Cheque/Money Order in payment. Total \$ _____ : _____ (Final Price as above)

or (Please make payable to: Better Aspects Pty Ltd)

Please charge this purchase to my credit card as per detail below - Total \$ _____ : _____

Credit Card Type: **Visa** **Mastercard** **Bankcard** (please circle one)

Card Number:

Valid from : / (mm/yy) Expiry Date: / (mm/yy)

Cardholder's Name: Daytime Tel. No.

Postal Address:

Suburb:

State:

Postcode:

Signature:

Date: ___ / ___ / _____



Please note: Receipts will be forwarded once full payment has been confirmed. Please allow 1-2 weeks delivery from order placement date. Better Aspects Pty. Ltd. A.B.N. 78 050 778 259 trading as Rugby Aspects.